



Products Catalog



THE KADS DRAIN SYSTEM

Universal Drain Aluminum

Can be used with all types of sealing materials!

The KADS UNIVERSAL allows a simple implementation with any existing sealing material (sealing sheets, pastes and liquids) without using other sealing measures and special tools in excess of the standard sealing equipment.

The special holes in the drain body form a connection between the two sealing layers (above and below the drain) and allow complete sealing in order to prevent water infiltration. Prior to installing the drain, apply the first sealing layer, then lay down the drain and apply the second sealing layer, so as to form overlap between the two sealing layers.

The materials used for manufacturing the drain are powerful materials that can sustain changes in temperature over time.



Aluminum system drain
for roof surface



Aluminum system drain
for floored surface

THE KADS DRAIN SYSTEM

Univeral Drain Plastic

Can be used with all types of sealing materials!

KADS drains by Kisner have been developed in order to solve one of the most sensitive aspects of roofs and balconies - the connection between the sealing layer and the drain pipe. KADS drains permit complete sealing between the drain pipe and the sealing layer, and are compatible with any sealing material such as sealing sheets, liquid material or pasty material. KADS drains permit optimal sealing for either roofs or a floored area. Floored areas require with the double-drainage method.



Plastic system drain
for roof surface



Plastic system drain
for floored surface

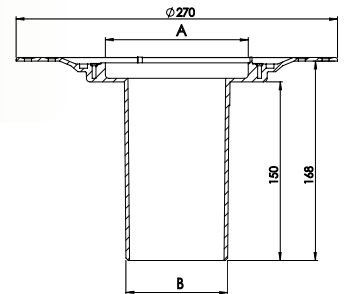
KADS Universal Drain

ALUMIUM DRAIN

KADS Universal Drain - Aluminum, designated for drainage of roofs and floored surfaces, provides the optimum solution for preventing water infiltration in the connection between the sealing and the drain ingress. The universal drain can be connected with any type of sealing material. The holes in the top part of the drain allow an ideal connection between the drain and the sealing sheets.

Drain Parts

- KADS Universal Drains are available in 3 sizes, allowing for connection with 3" (62-75mm), 4" (90-110mm) and 6" (148-160mm) pipes.
- Drains are equipped with rubber that allows for a highly sealed connection with the existing drain pipe.
- The drain is made of quality aluminum that is long-term resistant and can sustain changes in temperature and variable pressures.



	For pipe size	high	Upper Diameter (A)	Drain Diameter (B)
Vertical plastic 3"	62mm-75mm	150 mm	120 mm	56 mm
Vertical plastic 4"	90mm-110mm	150 mm	120 mm	85 mm
Vertical plastic 6"	140mm-160mm	150 mm	165 mm	135 mm

	SIZE 3" 4" 6"	CODE 9000083 9000084 9000086	Vertical drain universal Aluminum The universal drain can be connected with any type of sealing material
	SIZE 3" - 4" 6"	CODE 9000150 9000151	Stainless steel flange + s.s. screws To insure the connection between the lower part to the mambrene
	SIZE 3" 4" 6"	CODE 9000073 9000074 9000076	Seal for vertical outlet drain
	SIZE 3" - 4" 6"	CODE 9000028 9000175	Linking Part For the lower drainage collect the water that flow under the tile
	SIZE 10 * 10 15 * 15	CODE 9000035 9000036	Extention parts Extension part - for the drainage of the upper part fit to the stainless grid
	SIZE 10 * 10 15 * 15	CODE 9000045 9000046	Stainless steel grid On the same level of the tiles, for upper drainage
	SIZE 3" - 4" 6"	CODE 9000053 9000056	Leaf holder used on roofs that are not tiled and for air pipes in order to prevent dirt and leaves from entering the pipes

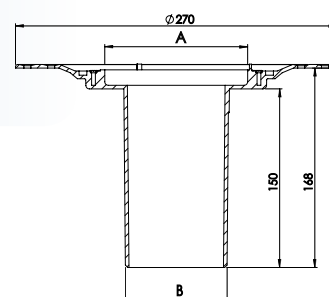
KADS Universal Drain

PLASTIC DRAIN

The KADS Universal Plastic Drain, designated for drainage of roofs and floored surfaces, provides the optimum solution for preventing water infiltration in the connection between the sealing and the drain ingress. The universal drain can be connected with any type of sealing material. The holes in the top part of the drain allow an ideal connection between the drain and the sealing sheets.

Drain Parts

- KADS Universal Drains are available in 3 sizes, allowing for connection with 3" (62-75mm), 4" (90-110mm) and 6" (148-160mm) pipes.
- Drains are equipped with a gasket that allows for a highly sealed connection with the existing drain pipe.
- The drain is made of quality polypropylene (PP) that is long-term resistant and can sustain changes in temperature and variable pressures.



	For pipe size	high	Upper Diameter (A)	Drain Diameter (B)
Vertical plastic 3"	62mm-75mm	150 mm	120 mm	56 mm
Vertical plastic 4"	90mm-110mm	150 mm	120 mm	85 mm
Vertical plastic 6"	140mm-160mm	150 mm	165 mm	135 mm



SIZE	CODE
3"	9000093
4"	9000094
6"	9000096

Vertical drain universal Plastic (pp)

The universal drain can be connected with any type of sealing material



SIZE	CODE
3" - 4"	9000150
6"	9000151

Stainless steel flange + s.s. screws

To insure the connection between the lower part to the mambrene.



SIZE	CODE
3"	9000073
4"	9000074
6"	9000076

Seal for vertical outlet drain



SIZE	CODE
3" - 4"	9000028
6"	9000175

Linking Part

For the lower drainage collect the water that flow under the tile



SIZE	CODE
10 * 10	9000035
15 * 15	9000036

Extention parts

Extension part - for the drainage of the upper part fit to the stainless grid



SIZE	CODE
10 * 10	9000045
15 * 15	9000046

Stainless steel grid

On the same level of the tiles, for upper drainage



SIZE	CODE
3" - 4"	9000053
6"	9000056

Leaf holder

used on roofs that are not tiled and for air pipes in order to prevent dirt and leaves from entering the pipes

KADS Drain KERDI

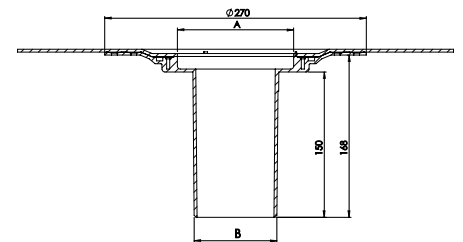
Drain With KERDI CURTAIN

KADS drain with a Kerdi curtain provides the optimum solution for preventing water infiltration in the connection between the sealing and the drain ingress. The drain allows unified connection between the sealing sheet and the pipe. The connection between the drain body and the sheet is done by professional soldering, and in addition is fastened by a stainless steel ring, stainless steel screws and sealing rubber.

All drains are made of polypropylene that is long-term resistant and can sustain changes in temperature and variable pressures.



	For pipe size	high	Upper Diameter (A)	Drain Diameter (B)
Vertical Kerdi 3"	70mm-75mm	150 mm	120 mm	56 mm
Vertical Kerdi 4"	90mm-110mm	150 mm	120 mm	90 mm
Vertical Kerdi 6"	140mm-160mm	150 mm	165 mm	134 mm
Horizontal Kerdi 3"	75mm	70 mm	120 mm	75 mm



	SIZE 3" 4" 6"	CODE 9000144 9000143 9000146	Vertical drain Kerdi The perfect drainage system for balconies and tiled roof.
	SIZE 3" - 4"	CODE 9000156	Horizontal drain Kerdi The perfect drainage system for balconies and tiled roof.
	SIZE 3" 4" 6"	CODE 9000073 9000074 9000076	Seal for vertical outlet drain
	SIZE 3" - 4" 6"	CODE 9000028 9000175	Linking Part For the lower drainage collect the water that flow under the tile
	SIZE 10 * 10 15 * 15	CODE 9000035 9000036	Extention parts Extension part - for the drainage of the upper part fit to the stainless grid
	SIZE 10 * 10 15 * 15	CODE 9000045 9000046	Stainless steel grid On the same level of the tiles, for upper drainage.
	SIZE 3" - 4" 6"	CODE 9000053 9000056	Leaf holder used on roofs that are not tiled and for air pipes in order to prevent dirt and leaves from entering the pipes.

KADS Drain BITUMEN

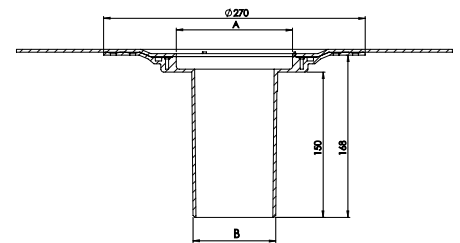
Drain With BITUMEN MEMBRAN

KADS drain with a Bitumen membran provides the optimum solution for preventing water infiltration in the connection between the sealing and the drain ingress. The drain allows unified connection between the sealing sheet and the drain. The connection between the drain body and the sheet is done by professional soldering, and in addition is fastened by a stainless steel ring, stainless steel screws.

All drains are made of polypropylene that is long-term resistant and can sustain changes in temperature and variable pressures.



	For pipe size	high	Upper Diameter (A)	Drain Diameter (B)
Vertical Kerdi 3"	62mm-75mm	150 mm	120 mm	56 mm
Vertical Kerdi 4"	90mm-110mm	150 mm	120 mm	90 mm
Vertical Kerdi 6"	140mm-160mm	150 mm	165 mm	134 mm
Horizontal Kerdi 3"	75mm	70 mm	120 mm	75 mm



	SIZE 3" 4" 6"	CODE 9000153 9000154 9000174	Vertical drain Bitumen The perfect drainage system for balconies and tiled roof.
	SIZE 3" - 4"	CODE 9000155	Horizontal drain bitumen The perfect drainage system for balconies and tiled roof.
	SIZE 3" 4" 6"	CODE 9000073 9000074 9000076	Seal for vertical outlet drain
	SIZE 3" - 4" 6"	CODE 9000028 9000175	Linking Part For the lower drainage collect the water that flow under the tile
	SIZE 10 * 10 15 * 15	CODE 9000035 9000036	Extention parts Extension part - for the drainage of the upper part fit to the stainless grid
	SIZE 10 * 10 15 * 15	CODE 9000045 9000046	Stainless steel grid On the same level of the tiles, for upper drainage.
	SIZE 3" - 4" 6"	CODE 9000053 9000056	Leaf holder used on roofs that are not tiled and for air pipes in order to prevent dirt and leaves from entering the pipes.

KADS Drain for Floored surfaces

Installation Instructions

Vertical double drain for floored surfaces

Assembly Instructions - universal:

The KADS drain is to be inserted into the concrete-immersed water pipe, ensure the presence of a rubber gasket in the drain's edge for perfect sealing between the water pipe and the drain. After connecting the drain, ensure the drain's surface is leveled with the sealing layer.

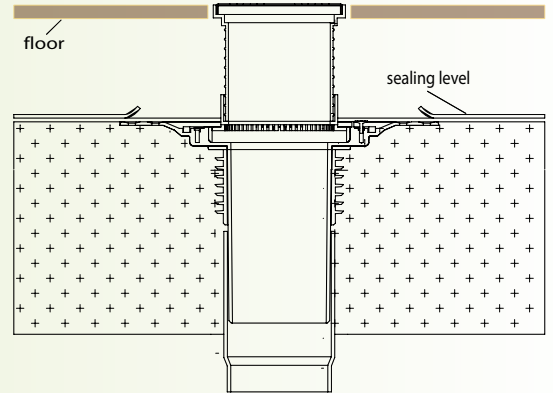
It is mandatory to apply the sealing material used under and above the drain, and any sealing material can be used: paste, sheet, spray etc.

After connecting a KADS drain to the water pipe and applying the sealing material, block the drainage ingress with a "cork" or any other means to prevent the infiltration of dirt from continued construction.

For floored surfaces:

After connecting a KADS drain to the water pipe and applying thesealing material:

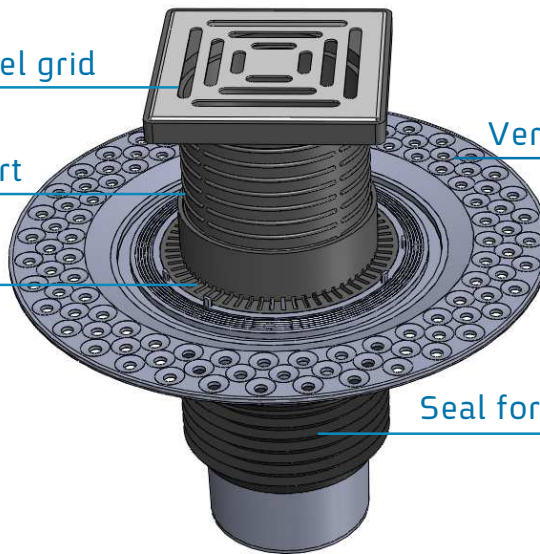
1. Connect the pressure linking part to the drain (A).
2. Put the extention part on top of the linking part (B). The extention part can be cutted or install one on another.
3. Fill the space between the sealing sheets and the flooring with a bed recommended by the engineer.
4. After filling and flooring, place the stainless steel grid (C).



(C) Stainless steel grid

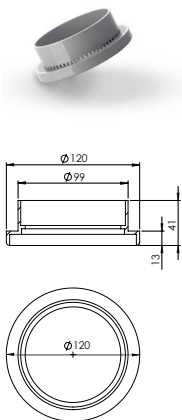
(B) Extention part

(A) Linking Part

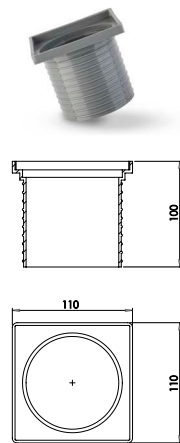


Vertical drain universal

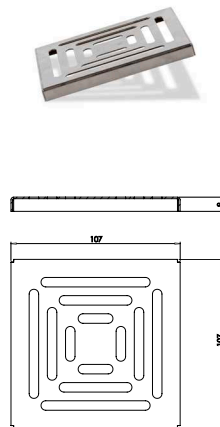
Seal for vertical outlet drain



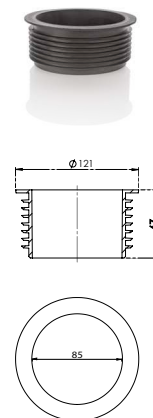
Linking Part



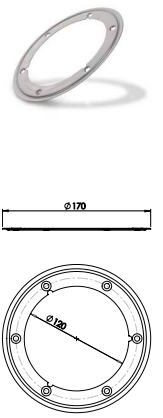
Extention parts



S.S. grid



Seal



S.S flange

KADS Drain for roof

Installation Instructions

Vertical double drain for roof

Assembly Instructions - universal:

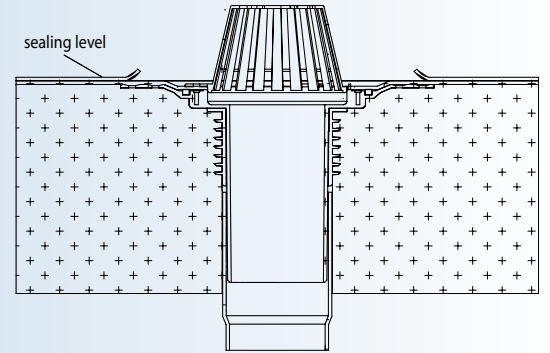
The KADS drain is to be inserted into the concrete-immersed water pipe, ensure the presence of a rubber gasket in the drain's edge for perfect sealing between the water pipe and the drain. After connecting the drain, ensure the drain's surface is leveled with the sealing layer.

It is mandatory to apply the sealing material used under and above the drain, and any sealing material can be used: paste, sheet, spray etc.

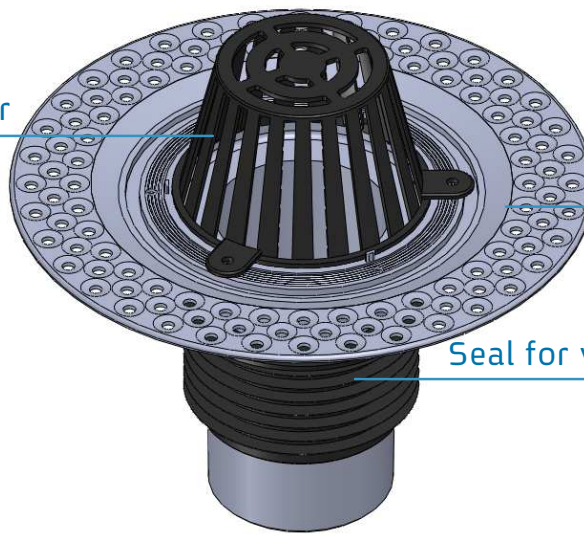
After connecting a KADS drain to the water pipe and applying the sealing material, block the drainage ingress with a "cork" or any other means to prevent the infiltration of dirt from continued construction.

For roofs:

To prevent the infiltration of leaves, plastic bags, birds etc. connect the designated leaf holder by opening 3 screws and re-screw them through the leaf holder. This connection allows long-term protection.

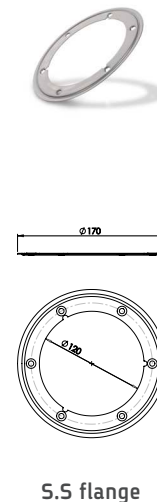
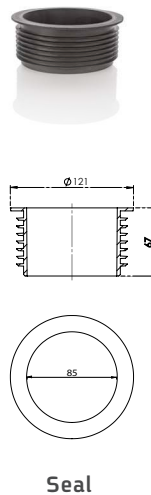
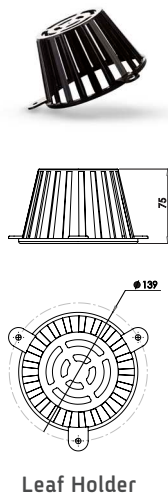


Leaf holder



Vertical drain universal

Seal for vertical outlet drain



KADS Drain with Sealing Membrane Floored surfaces

Installation Instructions

Vertical double drain for floored surfaces

Assembly Instructions - Floored surfaces:

The KADS drain is to be connected into the concrete-immersed water pipe in the form of socket-plug, ensure the presence of a rubber gasket in the drain's edge for perfect sealing between the water pipe and the drain. After connecting the drain, ensure the drain's surface is leveled with the sealing layer.

For a bitumen membran:

Spread the bitumen membran of the work surface underneath the bitumen sheet of the drain and solder with the drain sheet, then spread a sheet on top of the drain sheet and solder it too.

For a Kerdi certain:

Place a certain under the drain and apply it together with the drain sheet. Then, place an additional sheet on the drain sheet and apply it as well.

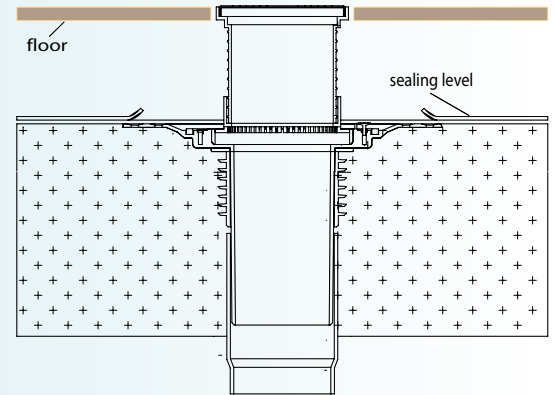
After connecting a KADS drain to the water pipe and applying the sealing material:

Please connect the linking part (A) to the top of the drain, with a powerful press until the drainage holes are leveled with the drain.

Then, connect the extension part (B) to the linking part with a powerful press into the linking part. At this stage, It is recommended to block the ingress with a "cork" or any other means to prevent the infiltration of dirt from continued construction.

After filling the material ensure the flooring is leveled with the elevation height; if necessary, you can cut the bottom part of the extension part with a saw / disc or let someone on top of the other.

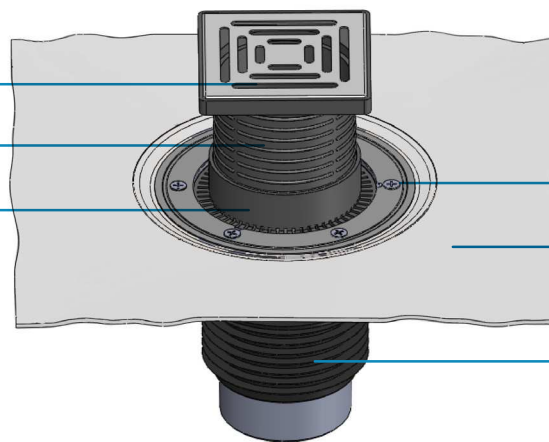
After flooring, place the stainless steel net (C) inside the elevation.



(C) Stainless steel grid

(B) Extension part

(A) Linking Part

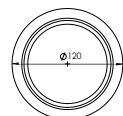
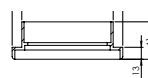


Stainless steel flange

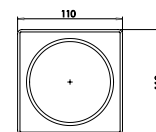
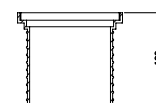
Vertical drain

Seal for vertical outlet drain

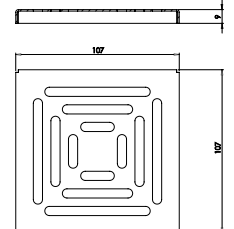
optional :



Linking Part



Extension parts



S.S. grid

KADS Drain with Sealing Membrane for Roof

Installation Instructions

Vertical double drain for roof

Assembly Instructions - Roof:

The KADS drain is to be connected into the concrete-immersed water pipe in the form of socket-plug, ensure the presence of a rubber gasket in the drain's edge for perfect sealing between the water pipe and the drain. After connecting the drain, ensure the drain's surface is leveled with the sealing layer.

For a Bitumen membran:

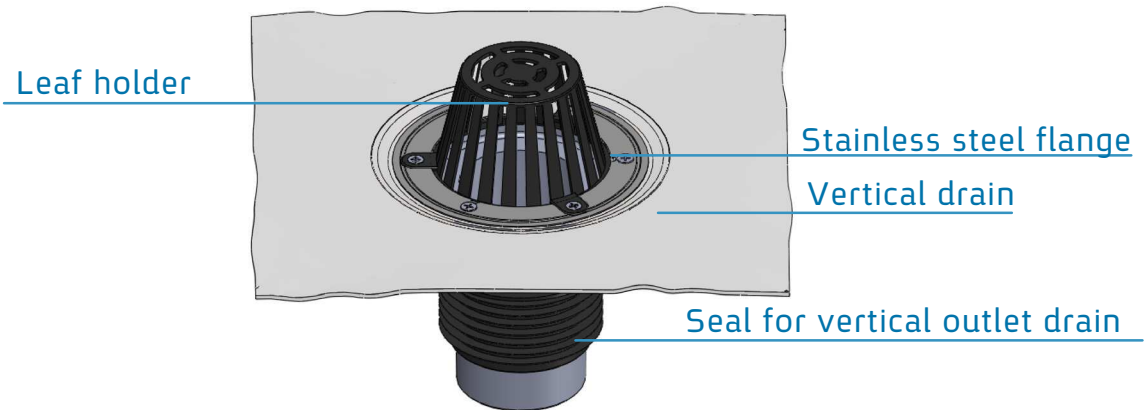
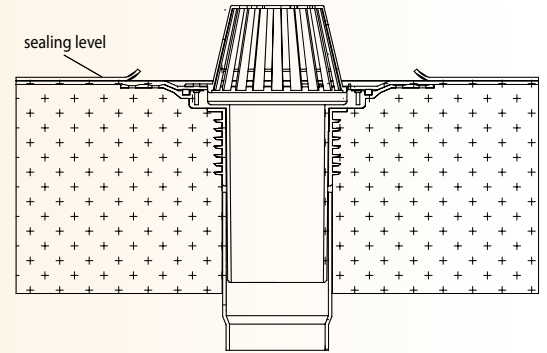
Spread the bitumen membran of the work surface underneath the bituminous sheet of the drain and solder with the drain sheet, then spread a sheet on top of the drain sheet and solder it too.

For a Kerdi curtain:

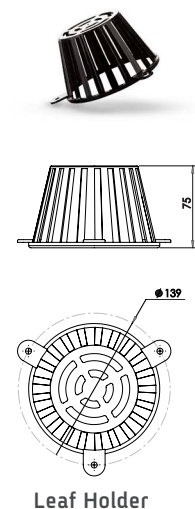
Place a sheet under the drain and apply it together with the drain sheet. Then, place an additional sheet on the drain sheet and apply it as well.

After connecting a KADS drain to the water pipe and applying the sealing materia: cut the sheet where it should be spilling water and then block the drainage ingress with a "cork" or any other means to prevent the infiltration of dirt from continued construction.

To prevent the infiltration of leaves, plastic bags, birds etc. connect the designated leaf holder by opening 3 screws and re-screw them through the leaf holder. This connection allows long-term protection.



optional :



Leaf Holder

About us

We produce accessories for all kinds of waterproofing membranes as well as items and accessories for the finishing phase of works in roofs, balconies and terraces, courtyards and around pools. Products are compatible with any waterproofing membrane made of bitumen-based materials, kerdy, TPO, PVC, etc. roof drains, air vent pipes, paving supports, fittings, etc.

Raw materials used in production are of an excellent quality, which makes it possible to apply them in any weather condition and to guarantee excellent resistance to flames and to very low temperatures (-40°C). Their high resistance coupled with the particular easy application makes this excellent good value.

All drain parts can be injected using different polymer compounds such EPDM, PP, LDPE and HDPE.



N. KISNER LTD

Add: 10 , Gvulot Street
Givatim, Israel 53261

Tel: ++972 - 3- 9791465

Fax: ++972 - 3 -9772852

Web: www.kisner.co.il

E-mail: Kisner@kisner.co.il
nir@kisner.co.il